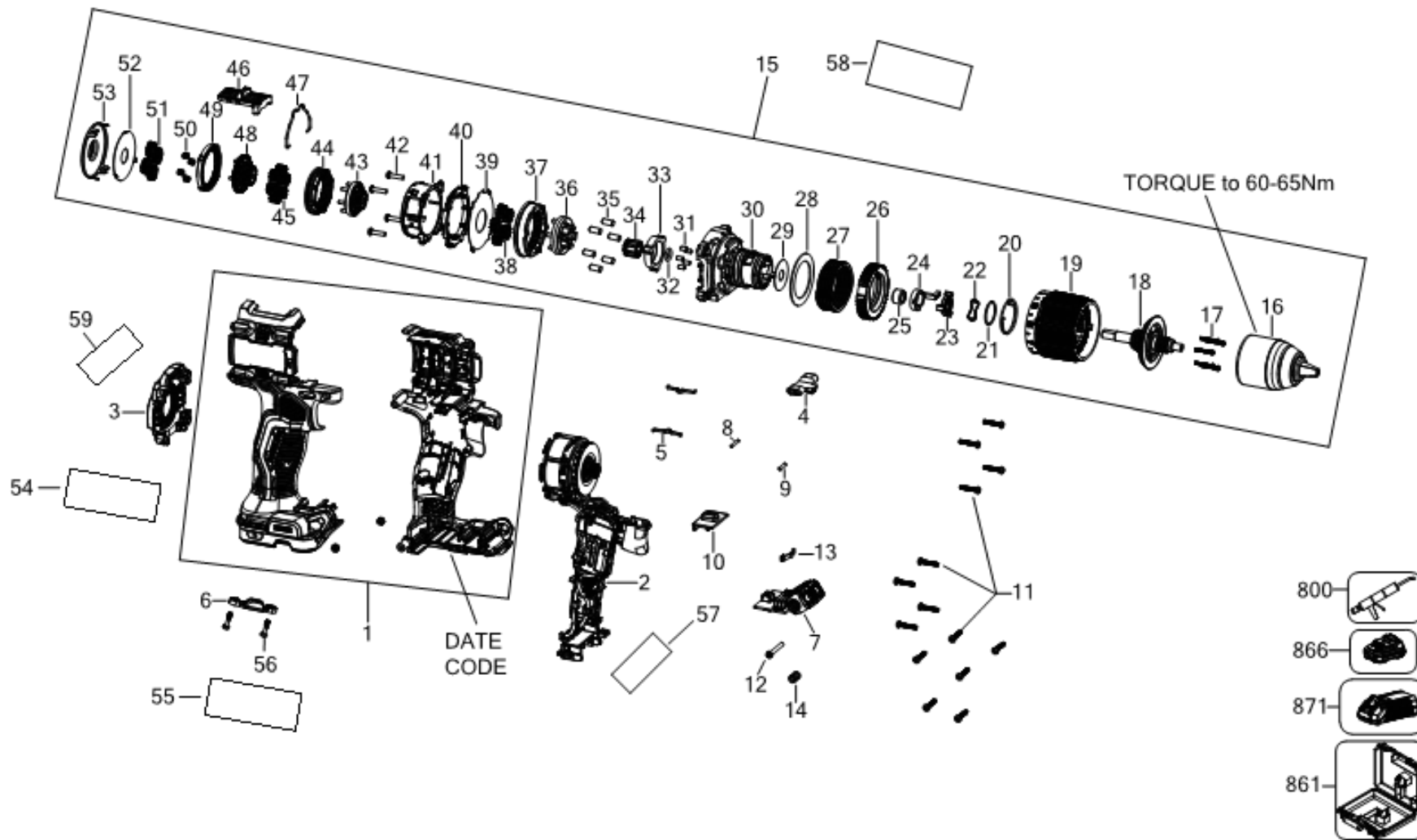


DEWALT

DCD805

Typ
1



Parts List DCD805E1T DRILL/DRIVER 1

| Item | Part Number | Qty | Part Description | General Description | Other Info | Repair Inst | Markets |
|------|-------------|-----|--------------------|---------------------|------------|-------------|---------|
| 1 | NA075424 | 1 | CLAMSHELL SET | | | No | QW |
| 2 | NA034896 | 1 | MOTOR & SWITCH SA | | | No | QW |
| 3 | N882247 | 1 | CAP | | | No | QW |
| 4 | N399342 | 1 | ACTUATOR FWD/REV | | | No | QW |
| 5 | N014681 | 2 | LEAF SPRING | | | No | QW |
| 6 | N787996 | 1 | INSERT | | | No | QW |
| 7 | N883994 | 1 | LED LIGHT | | | No | QW |
| 8 | N917079 | 1 | ROLL PIN | | | No | QW |
| 9 | N071836 | 1 | ROLL PIN | | | No | QW |
| 10 | N393603 | 1 | SELECTOR | | | No | QW |
| 11 | 682211-00 | 14 | SCREW | | | No | QW |
| 12 | 330019-62 | 1 | SCREW | | | No | QW |
| 13 | N392855 | 1 | DETENT | | | No | QW |
| 14 | N929081 | 1 | SPRING COMPRESSION | | | No | QW |
| 15 | NA088103 | 1 | GEAR CASE SA | | | No | QW |
| 16 | N928691 | 1 | CHUCK | | | No | QW |
| 17 | N039795 | 5 | SCREW | | | No | QW |
| 18 | NA088145 | 1 | SPINDLE SA | | | No | QW |
| 19 | N862710 | 1 | COLLAR | | | No | QW |
| 20 | N616763 | 1 | SPRING | | | No | QW |
| 21 | N613395 | 1 | WASHER | | | No | QW |
| 22 | N618571 | 1 | WASHER | | | No | QW |
| 23 | N598614 | 1 | GEAR | | | No | QW |
| 24 | N598613 | 1 | GEAR | | | No | QW |
| 25 | 330004-27 | 1 | BEARING NEEDLE | | | No | QW |
| 26 | NA029540 | 1 | NUT | | | No | QW |
| 27 | N422472 | 1 | SPRING | | | No | QW |
| 28 | N854140 | 1 | WASHER | | | No | QW |
| 29 | N090435 | 1 | WASHER | | | No | QW |
| 30 | NA018848 | 1 | HOUSING | | | No | QW |
| 31 | N093416 | 5 | ROLLER | | | No | QW |
| 32 | N560646 | 1 | O RING | | | No | QW |

Parts List DCD805E1T DRILL/DRIVER 1

| Item | Part Number | Qty | Part Description | General Description | Other Info | Repair Inst | Markets |
|------|-------------|-----|------------------------------|---------------------|------------|-------------|---------|
| 33 | N022985 | 1 | LOCKING RING | | | No | QW |
| 34 | NA073159 | 1 | ANVIL | | | No | QW |
| 35 | N411204 | 6 | PIN | | | No | QW |
| 36 | NA094641 | 1 | CARRIER SA | | | No | QW |
| 37 | N845243 | 1 | GEAR | | | No | QW |
| 38 | N845244 | 5 | GEAR | | | No | QW |
| 39 | N875646 | 1 | PLATE | | | No | QW |
| 40 | N855533 | 1 | RING | | | No | QW |
| 41 | N855688 | 1 | HOUSING | | | No | QW |
| 42 | N075506 | 4 | SCREW | | | No | QW |
| 43 | NA034901 | 1 | CARRIER SA | | | No | QW |
| 44 | N845241 | 1 | GEAR | | | No | QW |
| 45 | N845240 | 6 | GEAR | | | No | QW |
| 46 | N855158 | 1 | LEVER | | | No | QW |
| 47 | N855159 | 1 | WIRE | | | No | QW |
| 48 | NA034898 | 1 | CARRIER SA | | | No | QW |
| 49 | N845239 | 1 | GEAR | | | No | QW |
| 50 | N692779 | 4 | ROLLER | | | No | QW |
| 51 | N845237 | 4 | GEAR | | | No | QW |
| 52 | N855592 | 1 | PLATE | | | No | QW |
| 53 | N855591 | 1 | PLATE | | | No | QW |
| 54 | NA088547 | 1 | RATING PLATE | | | No | QW |
| 55 | NA088546 | 1 | LABEL | | | No | QW |
| 56 | N831593 | 2 | SCREW | | | No | QW |
| 57 | N932677 | 1 | LABEL | | | No | QW |
| 58 | NA088118 | 1 | BRAND LABEL | | | No | QW |
| 59 | N932676 | 1 | LABEL | | | No | QW |
| 800 | N017298 | 1 | GREASE | G-2008 Molykote | | No | QW |
| 861 | NA003710 | 1 | KITBOX | | | No | QW |
| 866 | NA132874 | 1 | BATTERY 18V – 1.6AH – 28.8WH | | | No | QW |
| 871 | N394633 | 1 | CHARGER 10.8V - 18V | | | No | QW |